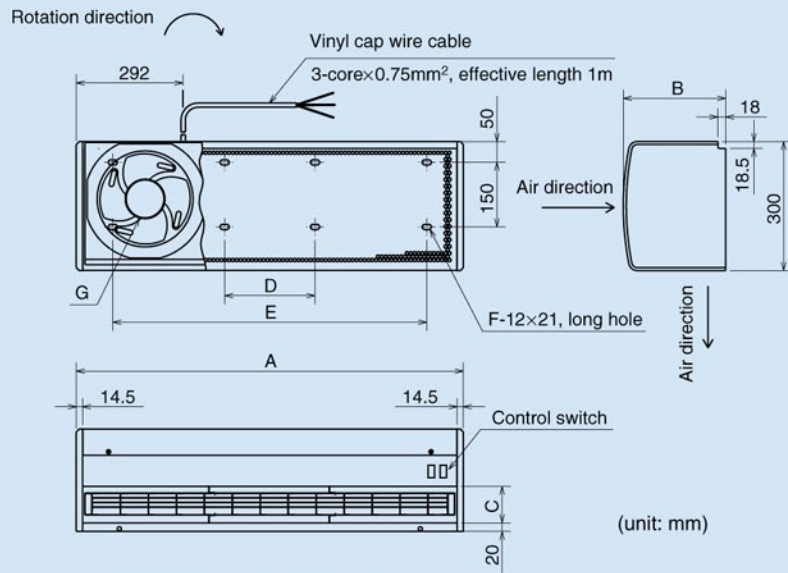


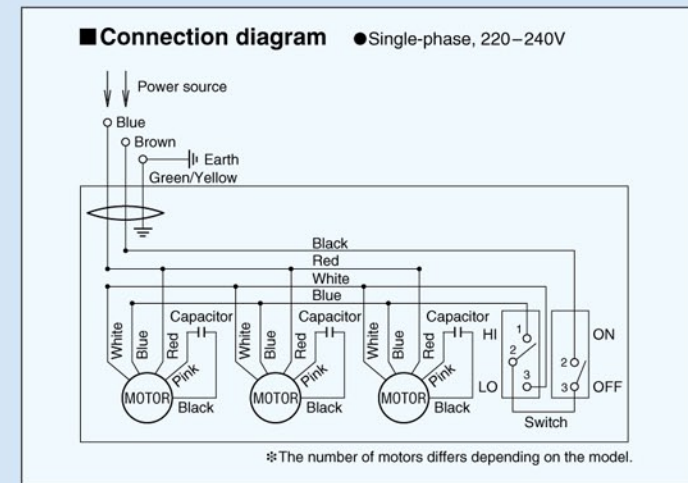
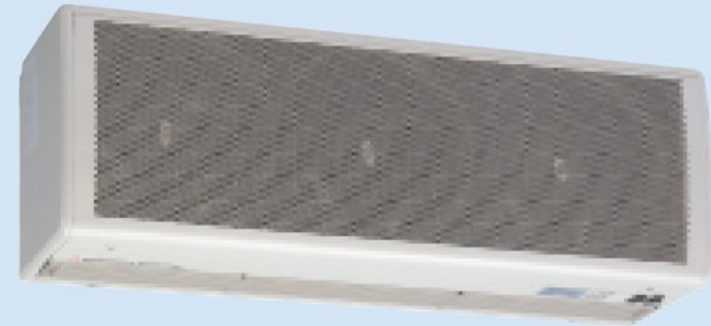
Features and Specifications GK-3509SA / GK-3512SA



- * Fan configurations vary according to the model
- * Earth inside vinyl cap wire cable
- * This product can be installed vertically

■ Dimensions (mm)

Model	A	B	C	D	E	F	No. of fans G
GK-3509SA	900	238	85	76	588	8	3
GK-3512SA	1180	238	85	355.5	867.5	8	4



■ Features and specifications

- All models painted in Munsell 0.7Y8.6/1
- Conditions for use: -10C~+45C ambient air and airflow temperature, relative humidity: 90% or lower

Model	Power supply	Speed	Input (W)	Maximum Load Current (A)	Max. Air Velocity (m/s)	Air Volum		Noise (dB)	Starting current (A)	Weight (kg)
						(m³/h)	(L/s)			
GK-3509SA	Single-phase 50Hz	High	250 - 265	1.1	16.0 - 17.5	2160 - 2340	600 - 650	66.0 - 68.5	2.1	20
		Low	250 - 270	1.1	12.0 - 14.0	1790 - 2030	497 - 564	63.0 - 66.0	1.9	
GK-3512SA	220V-240V	High	335 - 355	1.5	16.0 - 17.5	2880 - 3120	800 - 867	67.5 - 70.0	2.8	25
		Low	335 - 360	1.5	12.0 - 14.0	2380 - 2700	663 - 752	64.5 - 67.5	2.6	

*Value for free air using JIS B8330 orifice chamber method.